



TR143

Domestic & Residential Low-Pressure Regulator

TR143 is a high-capacity domestic and residential low-pressure gas regulator from EDM's Gas Series. The TR143 handles a wide range of inlet pressure, with minimal effect on outlet pressure for a wide range of capacities up to 12m³/hr. The regulator offers smooth performance throughout the range and remains stable even when pressure drops, offering an effective solution for low-pressure, high-flow applications.



I Key Features



FLEXIBLE



PROVEN
RELIABILITY



HIGH
PERFORMANCE

TR143

Domestic & Residential Low-Pressure Regulator



Standards and Compliance

- ISO 9001

Design

- Double diaphragm
- Spring-Loaded Direct-Acting Type
- Integrated Large Surface Area Filter
- Optimized Valve Head
- Venturi Sensor
- Maximum capacity flow at very low inlet pressures

High Capacity

- Wide Range Inlet Pressure
- Minimal Effect on Outlet Pressure
- Wide Range of Capacities up to 12m³/hr
- Smooth Performance & Stability
- Effective Solution for Low Pressure, High Flow Applications
- Survives 210kPa Inlet Pressure

Options

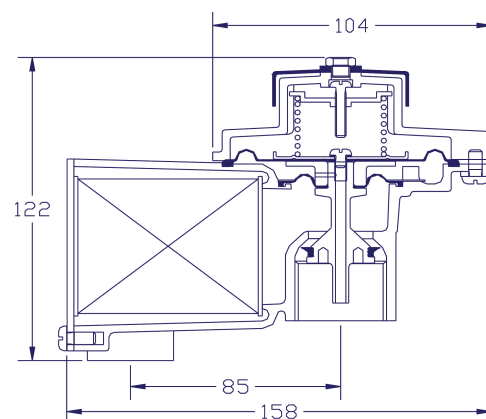
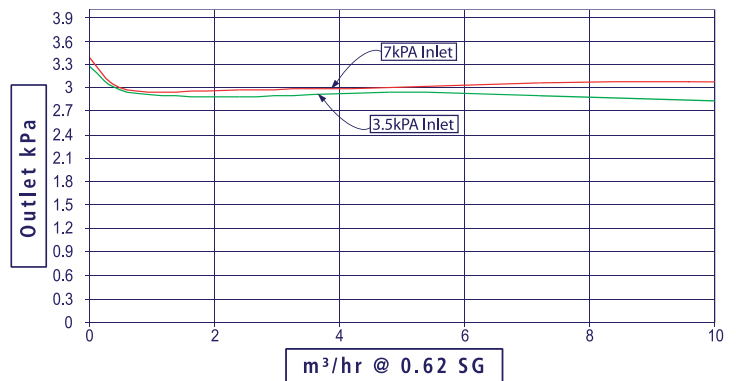
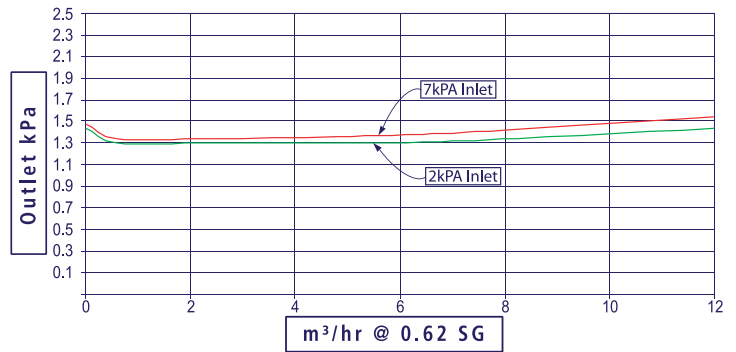
- Available in Both 1.275kPa & 2.75kPa Outlet Pressure Versions
- Option for Breather Vent Connection (Indoor Application)
- Option for Outlet & Inlet Pressure Test Points

Specifications

- Inlet Connection: 3/4" Aluminum (al) Liner, 1" BSP Nylon Nut or 3/4" al Liner, 1" BS746 Zinc (zn) Ferrule or 3/4" to BS746-1" al
- Outlet Connection: 1-3/4" Nylon Reducer, 3/4" al Liner, 1"BS746 zn Nut or 1-3/4" Reducer, 3/4" al Liner, 1"BS-746 Nylon Nut
- Capacity: 12m³/hr (SG 0.62) @ 2kPa (1.275kPa Version) or 8m³/hr (SG 0.62) @ 3.5kPa (2.75kPa Version)
- Max Operating Pressure: 7kPa
- Min Operating Pressure: 1.25kPa (1.275kPa Version), 3.5kPa (2.75kPa Version)
- Outlet Pressure Range: 1.275kPa or 2.75kPa Versions
- Filter Rating: 10 microns
- Temperature Range: -100°C to 650°C
- Weight: Approx. 0.7kg

Materials

- Regulator Housing: LM24 Diecast, Chromate Convert & Polyester Powder-Coated
- Stem: Aluminum
- Diaphragms/Seals: Nitrile
- Spring: Stainless Steel
- Pressed Items: Aluminum
- Plastic Items: Acetal
- Filter: Paper



EDMI Gas Pty Ltd

7 Fowler Road, Dandenong, Victoria,
Australia 3175
Tel: +613 9794 6000 Fax: +613 9706 0055
Email: gassales@edmi.com.au
support@edmi.com.au

EDMI NZ Ltd

Level 1, 181 Wakefield St Wellington 6011
New Zealand
Tel: +64 4 801 4700
Email: sales@edmi.co.nz
support@edmi.co.nz

www.edmi-meters.com

