



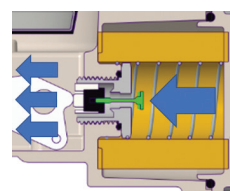
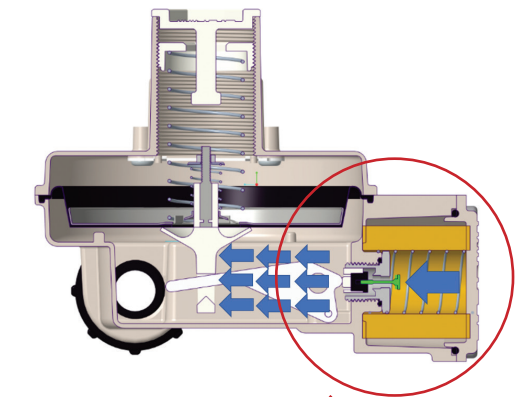
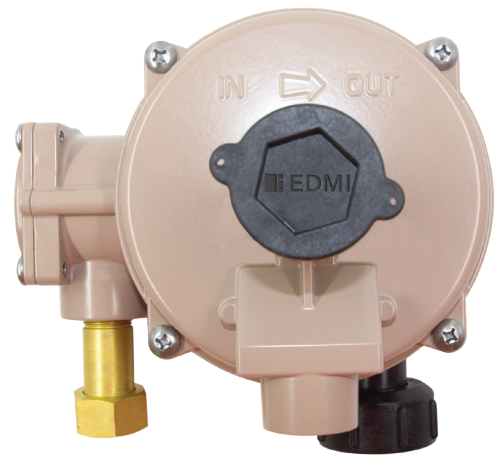
# TRX

## Medium to High-Pressure Regulator

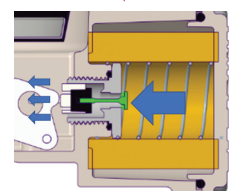
The EDM I TRX is a spring-loaded, lever-operated, single-stage regulator, that reliably delivers a constant flow of natural gas of up to 26 m<sup>3</sup>/h, in medium to high-pressure installations.

The TRX incorporates a unique over-flow restricting mechanism in addition to the standard integrated safety valve, for additional protection under catastrophic failure.

Designed and rigorously tested for the Australian outdoors, the TRX is manufactured in an ISO 9001:2015 quality process. The TRX is configured and tested locally, and available now.



Normal flow of operation



Over-flow restriction due to catastrophic failure

### Key Features



FLEXIBLE

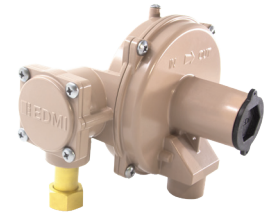


UNIQUE SAFETY



HIGH ACCURACY

# TRX



## Medium to High-Pressure Regulator

### Standards and Compliance

- GFC ES-GM-4304
- ISO 4892-3 for UV stability
- AS 2331.3 for corrosion resistance
- BS 746-2014 for outlet thread fitting

### Key Features

- Lever-operated, single-stage regulator
- Integrated safety relief mechanism
- Integrated over-flow restricting mechanism
- Integrated compact and replaceable foam filter
- Leak tight to 740 kPa
- Fast response
- Accuracy class up to 10%
- External vertical vent (horizontal vent elbow optional)
- Various types of inlet and outlet fittings to suit customer needs
- Vertical pressure test point
- Cap with tamper sealing available
- Coloured cap (customer specific for identification) available

### Standard Safety Features

- Integrated standard safety relief valve
- Integrated over-flow restricting valve
- Catastrophic relief performance curves available on request

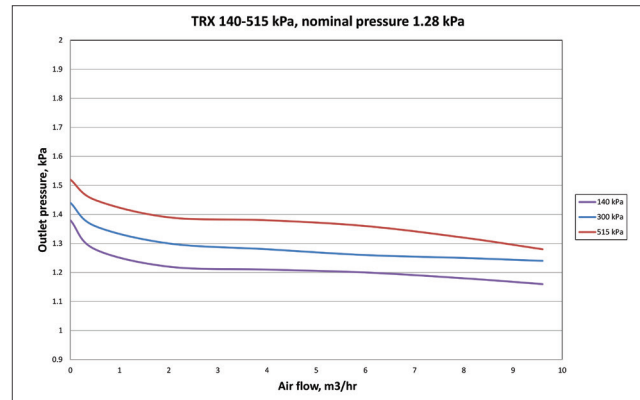
### Connections and Specifications

- Available body inlet connection sizes:  
 $\frac{1}{2}$ " x  $\frac{3}{4}$ ",  $\frac{1}{2}$ " x 1",  $\frac{3}{4}$ " x  $\frac{3}{4}$ ",  $\frac{3}{4}$ " x 1" (ISO 7)
- Casting resistance pressure up to 1050 kPa
- Capacity: up to 26 m<sup>3</sup>/h, depending on orifice size, spring, inlet and outlet connections
- Maximum operating pressure: 515 kPa
- Inlet pressure range: 20 to 515 kPa (other pressure ranges available on request)
- Outlet pressure range: 1 to 6 kPa
- Rating of filter: 25 microns
- Operational temperature range: -10°C to 65°C
- Weight: 0.98 kg

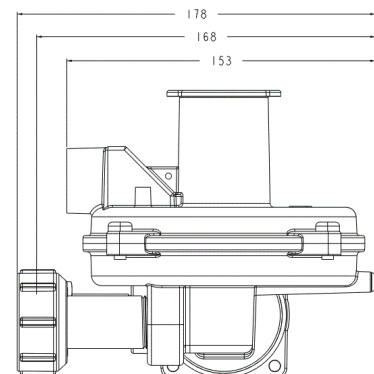
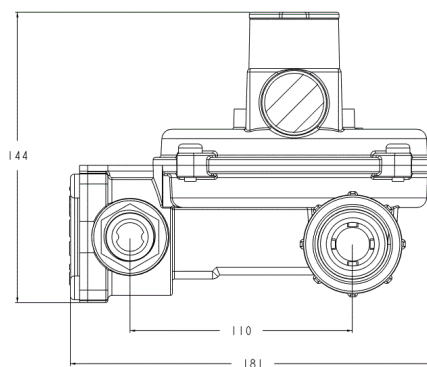
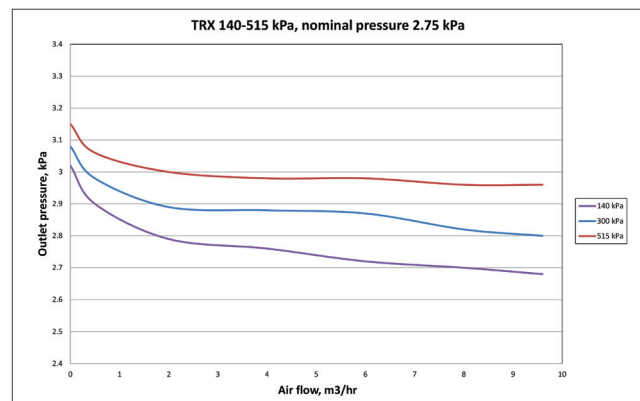
### Materials

- Regulator body: ADC12 diecast, polyester powder-coated to Y65
- Orifice shuttle: ABS plastic
- Orifice housing: Aluminium or Brass
- Diaphragm & seals: Nitrile
- Main spring: Stainless steel
- Diaphragm plate: Plated steel
- Filter: Polyurethane

### 1.28 kPa Set Point



### 2.75 kPa Set Point



### EDMI Gas Pty Ltd

7 Fowler Road, Dandenong, Victoria,  
Australia 3175  
Tel: +613 9794 6000  
Email: gassales@edmi.com.au  
support@edmi.com.au

### EDMI NZ Ltd

Level 1, 181 Wakefield St Wellington 6011  
New Zealand  
Tel: +64 4 801 4700  
Email: sales@edmi.co.nz  
support@edmi.co.nz

www.edmi-meters.com

